

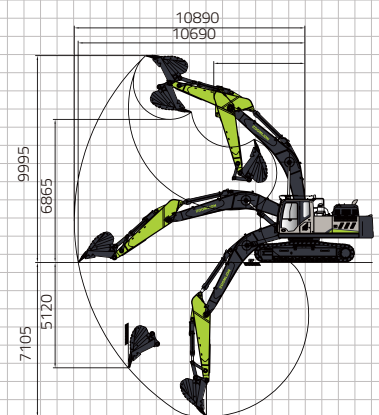
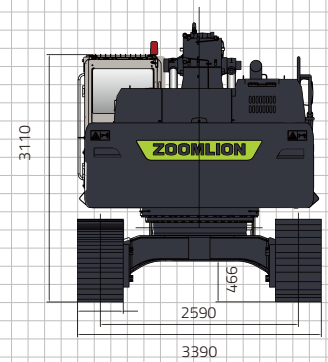
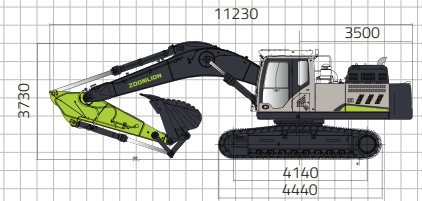
CRAWLER EXCAVATOR ZE375G



ZOOMLION

CRAWLER EXCAVATOR ZE375G

	Items	ZE375G	
Basic Technical Data	Operating Weight	37500 kg	82670 lb
	Standard bucket capacity	1.9 m ³	2.49 yd ³
	Slewing Speed	10.2 r/min	
	Traveling Speed(high/low)	5.0/3.0 km/h	3.11/1.86 mph
	Max. Drawbar Pull	315 kN	70810 lbf
	Digging Force of Bucket	241 kN	54170 lbf
	Digging Force of Stick	202 kN	45410 lbf
Engine	Engine Manufacturer	CUMMINS	
	Engine Model	L9	
	Rated Power	220 kw /1800 rpm	295 HP/1800 rpm
	Displacement	8.9 L	543 in ³
	Emission Standard	EU Stage V/Tier 4F	
Dimensions	Length	11230 mm	442.46 in
	Width	3390 mm	133.56 in
	Height	3730 mm	146.96 in
	Tail Slewing Radius	3500 mm	137.9 in
	Track Gauge	2590 mm	102.04 in
	Length of Track On Ground	4140 mm	163.11 in
Operating Range	Max. Digging Radius	10890 mm	429.06 in
	Max. Digging Reach	10690 mm	421.18 in
	Max. Digging Depth	7105 mm	279.93 in
	Max. Digging Height	9995 mm	393.8 in
	Max. Dumping Height	6865 mm	270.48 in



ZOOMLION

Zoomlion Heavy Industry Science & Technology Co.,Ltd.

Add: No.361, South Yinpen Road, Changsha, Hunan Province, P.R.China 410013

Email: earthmoving@zoomlion.com

Copyright©2023 Zoomlion. All rights reserved. Reproduction and copying of any part of contents is not allowed for any purposes without Zoomlion's approval.
Note: Materials and specifications are subject to change without notice. Featured machines in photos may include additional equipment.

