

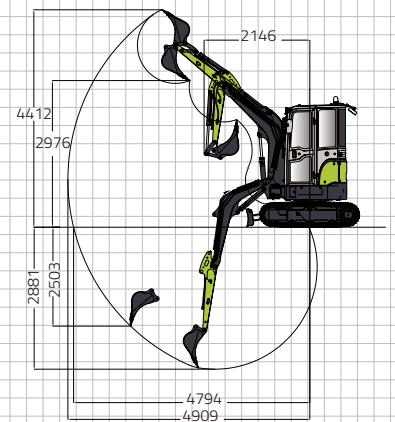
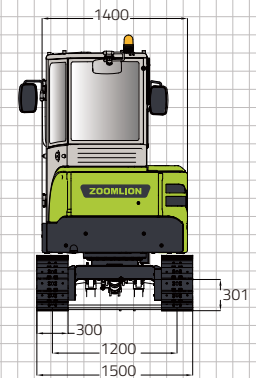
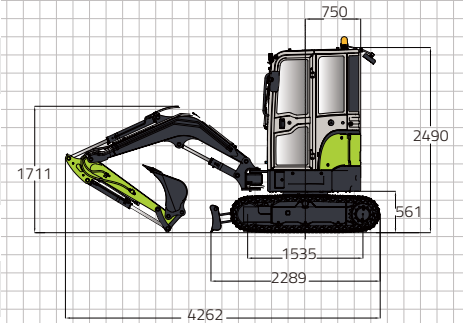
CRAWLER EXCAVATOR ZE26GU



ZOOMLION

CRAWLER EXCAVATOR ZE26GU

	Items	ZE26GU	
Basic Technical Data	Operating Weight	2750 kg	6060 lb
	Standard bucket capacity	0.08 m ³	0.10 yd ³
	Slewing Speed	11 r/min	
	Traveling Speed(high/low)	4.9/2.7 km/h	3/1.7 mph
	Digging Force of Bucket	23.5 kN	5280 lbf
	Digging Force of Stick	13.84 kN	3110 lbf
Engine	Engine Manufacturer	Kubota	
	Engine Model	D1105	
	Rated Power	15.6 kW/2400 rpm	21.2 HP/2400 rpm
	Displacement	1.123 L	68.5 in ³
	Emission Standard	EU Stage V/Tier 4F	
Dimensions	Length	4262 mm	167.92 in
	Width	1500 mm	59.1 in
	Height	2490 mm	98.1 in
	Tail Slewing Radius	750 mm	29.55 in
	Track Gauge	1200 mm	47.28 in
	Length of Track On Ground	1535 mm	60.47 in
Operating Range	Max. Digging Radius	4909 mm	193.41 in
	Max. Digging Reach	4794 mm	188.88 in
	Max. Digging Depth	2881 mm	113.51 in
	Max. Digging Height	4412 mm	173.83 in
	Max. Dumping Height	2976 mm	117.25 in



ZOOMLION

Zoomlion Heavy Industry Science & Technology Co.,Ltd.

Add: No.361, South Yinpen Road, Changsha, Hunan Province, P.R.China 410013

Email: earthmoving@zoomlion.com

Copyright©2023 Zoomlion. All rights reserved. Reproduction and copying of any part of contents is not allowed for any purposes without Zoomlion's approval.

Note: Materials and specifications are subject to change without notice. Featured machines in photos may include additional equipment.

