

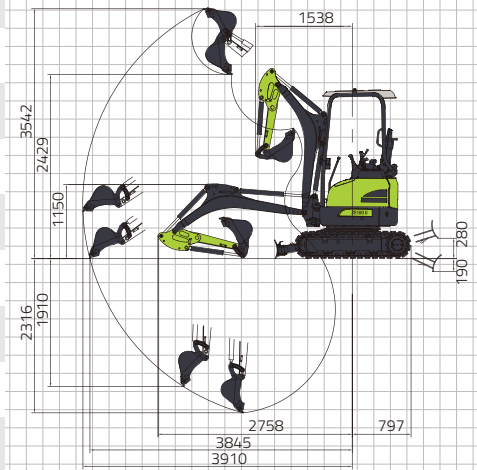
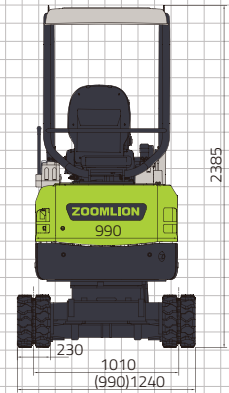
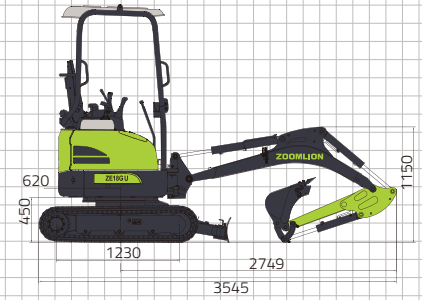
CRAWLER EXCAVATOR ZE18GU



ZOOMLION

CRAWLER EXCAVATOR ZE18GU

	Items	ZE18GU	
Basic Technical Data	Operating Weight	1800 kg	3970 lb
	Standard bucket capacity	0.04 m ³	0.05 yd ³
	Slewing Speed	10 r/min	
	Traveling Speed(high/low)	3.8/2.2 km/h	2.36/1.37 mph
	Digging Force of Bucket	17 kN	3820 lbf
	Digging Force of Stick	10 kN	2248 lbf
Engine	Engine Manufacturer	Kubota	
	Engine Model	D902	
	Rated Power	11.8 kW/2300 rpm	16 HP/2300 rpm
	Displacement	0.898 L	54.8 in ³
	Emission Standard	EU Stage V/Tier 4F	
Dimensions	Length	3545 mm	139.67 in
	Width	990/1240 mm	39/48.85 in
	Height	2385 mm	93.96 in
	Tail Slewing Radius	620 mm	24.42 in
	Track Gauge	760/1010 mm	29.94/39.79 in
	Length of Track On Ground	1230 mm	48.46 in
Operating Range	Max. Digging Radius	3910 mm	154 in
	Max. Digging Reach	3845 mm	151.49 in
	Max. Digging Depth	2316 mm	91.25 in
	Max. Digging Height	3542 mm	139.55 in
	Max. Dumping Height	2429 mm	95.7 in



ZOOMLION

Zoomlion Heavy Industry Science & Technology Co.,Ltd.

Add: No.361, South Yinpen Road, Changsha, Hunan Province, P.R.China 410013

Email: earthmoving@zoomlion.com

Copyright©2023 Zoomlion. All rights reserved. Reproduction and copying of any part of contents is not allowed for any purposes without Zoomlion's approval.

Note: Materials and specifications are subject to change without notice. Featured machines in photos may include additional equipment.

