

ZOOMLION TECHNOLOGY WITH INGENUITY AND CARE



THE WORLD'S LEADING EXCAVATOR INTELLIGENT MANUFACTURING FACTORY

ZOOMLION Smart City Earthmoving Machinery Park is an industry-leading intelligent and flexible excavator factory. From a piece of steel plate to an excavator, with high-precision welding process, highly reliable assembly process, high-level coating process and strict quality control, each excavator is delivered with ultimate quality.

ZOOMLION 1.2 Ton SERIES COMPACT TRACK LOADER

ZT120V



ZOOMLION

Zoomlion Heavy Industry Science & Technology Co.,Ltd.

Add: Zoomlion Smart City Headquarters Building, No.613 Naqiu Road, Wangcheng District, Changsha, Hunan, China 410221
Email: earthmoving@zoomlion.com
Copyright © Zoomlion. All rights reserved. Reproduction and copying of any part of contents is not allowed for any purposes without Zoomlion's approval.
Note: Materials and specifications are subject to change without notice. Featured machines in photos may include additional equipment.



ZOOMLION

VISION CREATES FUTURE

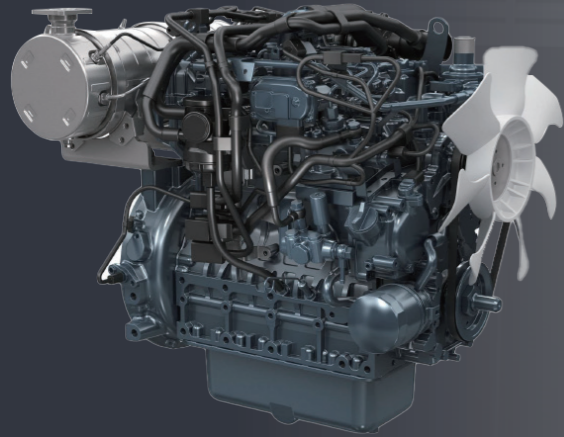
ZOOMLION-Compact Track Loader serves you with excellent performance, extraordinary comfort, convenient maintenance, and outstanding durability.

Engine power: 53.4 kW / 2400 rpm
Rated payload(50%): 1210 kg
Tipping load: 3458 kg
Bucket breakout force: 25.9 kN
Lift arm breakout force: 23.1 kN
Operating weight: 4350 kg



OUTSTANDING PERFORMANCE

WELL-KNOWN BRAND ENGINE



- High-pressure common-rail system and diesel particulate filter (DPF).
- The high-pressure common-rail system electronically controls the timing and amount of fuel injected to ensure full combustion, improving fuel efficiency, and reducing engine noise.
- Equipped with exhaust gas recirculation technology and a DPF, the ZT090V meets the U.S. EPA Tier 4 Final and EU Stage V emission standards.
- Powerful and reliable 53.4 kW engine gets the job done with ease.

AUTOMATIC RESETTING FOOT-OPERATED THROTTLE



- The foot-operated throttle can be used to increase engine speed when strong power is needed transitorily.

10-GEAR KNOB FIXED THROTTLE



- Constant engine speed can be maintained during operations such as cold milling, trenching, sweeping, snow removal, and drilling.

Max. speed reached
14 Km/h

Faster than competitors by **30** %

Travel speed

With Two-speed system, the ZT120V's, which makes the vehicle more agile and brings higher efficiency.



With a large ground clearance and a small ground specific pressure, the ZT120V easily crosses large obstacles, allowing it to drive on more rugged surfaces and work in more complex environments.

MULTIPLE ATTACHMENTS

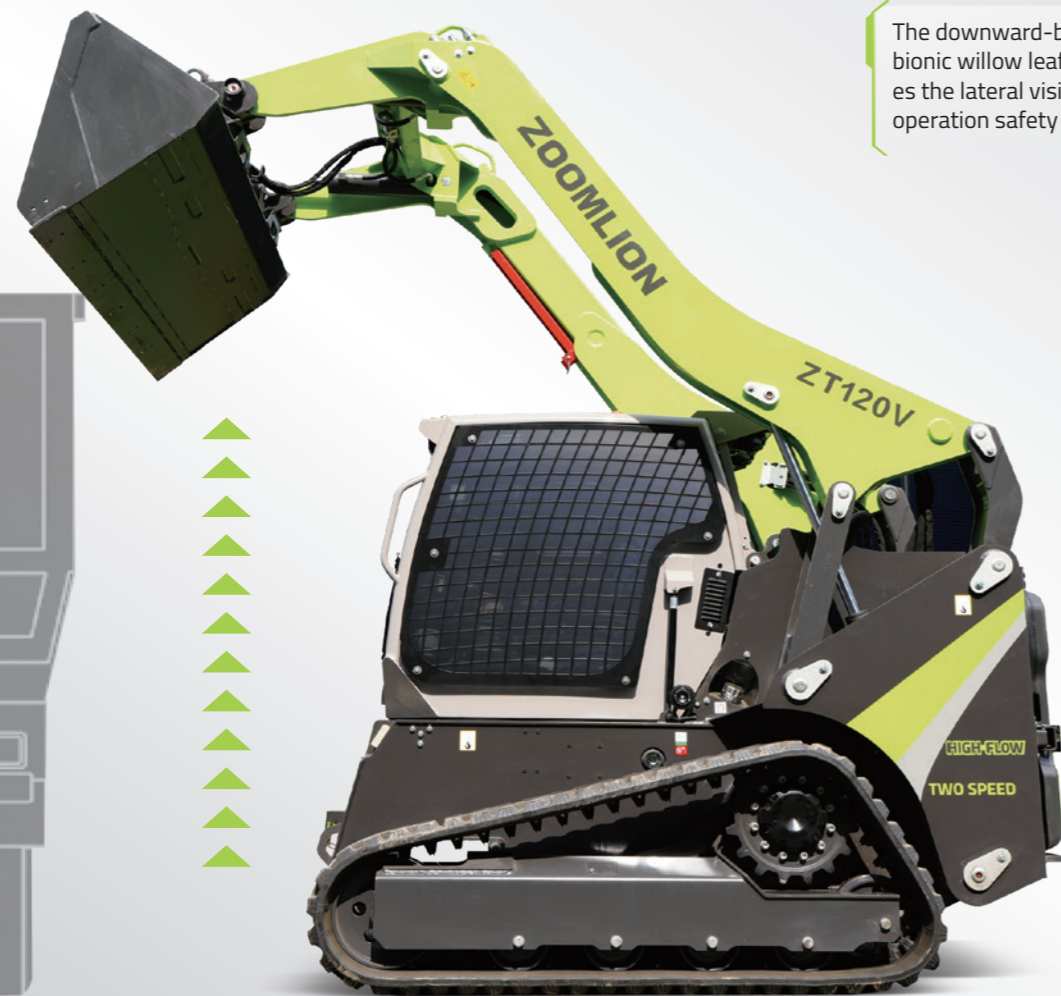
International standard quick coupler interface, compatible to attachments from different manufacturers

- | | | |
|---|--|---|
| <ul style="list-style-type: none"> ▪ Sweeper ▪ Sweeper (with Side Brush) ▪ Angle broom ▪ Six-way bulldozer ▪ Snow blower (low throw) ▪ Industrial grab bucket | <ul style="list-style-type: none"> ▪ Concrete mixing bucket ▪ Scraper ▪ Snow pusher ▪ Rotary tiller ▪ Trencher ▪ Mower | <ul style="list-style-type: none"> ▪ Auger ▪ Haystack handling fork ▪ 4-in-1 bucket ▪ Gardening grab bucket ▪ Hydraulic breaker ▪ Pallet fork |
|---|--|---|

UNIQUE VERTICAL LIFT ARM

Unlike the circular arc lift, the unique linkage structure of vertical lift technology makes the lifting trajectory of the front end of the working arm to be approximately vertical, which reduces the frequent forward and backward movement of the machine, and allows unloading to be completed in-situ, which gives a greater advantage to loading and unloading of materials in narrow indoor spaces, such as warehouses and in-building constructions.

The downward-bent arm with a bionic willow leaf design increases the lateral visibility, ensuring operation safety



Maximum dump reach
980 mm.

Maximum dump height
2510 mm.

The maximum height dump angle of **42°** results in faster unloading.

Maximum bucket breakout force: **25.9** kN

Maximum arm breakout force: **23.1** kN

The track ground length of **1556** mm makes the working process more stable.

STABLE HYDRAULIC SYSTEM

Optional high-flow attachment system

The option of a high-flow system can increase the attachment flow from **96L/min** to **139L/min**, providing strong support for attachment work.

Outstanding flow system for attachments

Standard 1/2 inch male-female connector and 3/8 inch male connector.

Optional hydraulic quick coupler

Optional hydraulic quick coupler allows you to install or remove attachments without leaving your seat.

Ultra-fast response speeds boost your work efficiency

Lifting cylinder extension time: 3.9s
Lifting cylinder retraction time: 2.3s
Bucket cylinder retraction time: 1.6s

Optional automatic leveling system

Automatically keeps the attachment or bucket level when raising the lifting arm.

EXCEPTIONAL COMFORT



Outstanding 360° visibility

The bucket can be seen from the seat, improving safety during work processes.



Optional suspension seat

A better suspended seat keeps you in good working condition.



Pressurized cab

The pressurized cab effectively isolates dust, debris and insects, minimizing noise levels.



Optional air conditioner

Provides excellent cooling and heating performance.



Optional cup holder

The cup holder under the right armrest is convenient for placing a water cup to quench thirst while working.



Ample legroom

The spacious cab provides ample legroom, which helps to alleviate fatigue.



Standard multi-function instrument

Key information such as fuel level, hour meter, voltage faults, and fault alarms can be displayed through the instrument panel.



120W Power Output

With a maximum power output of 120 W, it can charge mobile phones and power other small electronic devices.



Reading Lamp

A standard reading lamp makes it easy to view and read inside the cab.

EXCELLENT SAFETY



FOPS/ROPS cab

A cab certified for FOPS/ROPS provides protection in the event of unforeseen rollovers and falling objects.



Optional cab side guard

The optional cab side guard protects your lateral safety.



Optional reversing video camera

The optional reversing video camera features the large display at the front of the cab and the high-definition camera at the rear, ensuring a complete view of the machine's rear door.



Built-in hydraulic lines

Hydraulic lines are located inside the lift arm for perfect protection of the hydraulic lines.



Optional turn signals and exterior rearview mirrors

Optional turn signals and exterior rearview mirrors do not move with the lift arm, making it easy to observe the situation at the back of the body at any time, ensuring operation safety.



Optional license plate holder

Optional license plate holder and plate lamp make it easy to identify your vehicle.

EASE OF MAINTENANCE



The tailgate is made of 6mm high-strength steel plate, which can resist splashing stones and metal collisions, protecting the engine and pipelines.

- A Engine oil filler
- B Engine oil dipstick
- C Battery
- D Engine oil filter
- E Air filter
- F Coolant tank
- G Fuel-water separator
- H Fuel filter
- I fuel filler
- J Oil Return Filter

Daily Inspections

Opening the rear door and the upper cover grants access to all components for daily inspections.



Long service intervals reduce frequent maintenance, allowing oil changes every 500 hours.

Top-mounted independent cooling system

Lifting the cab and radiator provides access to the engine compartment, making it easier to inspect and maintain the power, hydraulic, and electrical systems.



The radiator can be flipped upwards 30°

The radiator components are located at the top of the engine compartment, which prevents damage from the rear and facilitates daily cleaning and maintenance.



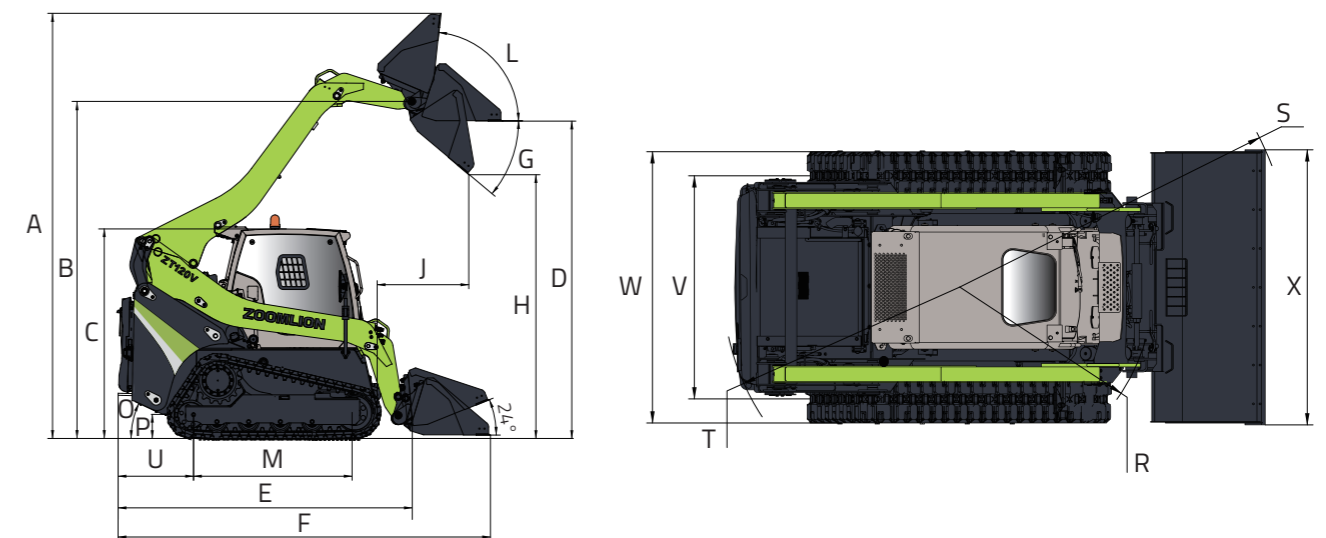
LIST OF OPTIONS

System	Configuration	ZT120
Dynamical system	Engine	●Kubota (53.4kW/2400rpm)
	Engine emissions	EU V/T4F
	Air cleaner	●
	Cyclone air pre filter	○
	Cylinder intake preheater	●
Hydraulic system	Walking pump	●
	Traveling motor	●
	High traffic system	●
	Automatic leveling of bucket	○
	Hydraulic quick change	○
Cab	Dual speed walking	●
	Cab	●
	Cab side net	○
	Protect (FOPS/ROPS)	●
	Seat Mechanical suspension	●
	Air conditioner	●
	Warm air blower	○
	Fire extinguisher	●
	Safety hammer	●
	Cup holder	●
Track	320mm Track	●
	450mm Track	○
Working device	Vertical lifting	●
Bucket	0.6m ³ Bucket	●
	Teeth	○
Electrical	Blade	○
	Reverse alarm	●
	Reverse image	●
	Rotating warning light	●
	Accessory control harness	○
	Emergency stop switch	●
	GPS	●
	Exterior rearview mirror (left, right)	●
	Turn signal (including exterior rearview mirror)	○
	License plate bracket+license plate light	○
Others	Quick connector dust cover for accessories	○

● STANDARD
○ OPTIONAL

Items	Parameters
A Max. Operating Height	4131 mm
B Bucket Hinge Pin Height	3261 mm
C Overall Height (To Cab Top)	2067 mm
D Max. Horizontal Height of Bucket	3060 mm
E Overall Length (Without Bucket)	2878 mm
F Overall Length (With Bucket)	3636 mm
G Bucket Tilting Angle at Maximum Height	40°
H Max. Dump Height	2510 mm
J Dump reach	980 mm
K Bucket Retracting Angle at Flat Ground	24°
L Bucket Tilting Angle at Maximum Height	84°
M Track Ground Length	1556 mm
Q Departure Angle	30°
P Ground Clearance	230 mm
R Front Turning Radius (Without Bucket)	1356 mm
S Front Turning Radius (With Bucket)	2307 mm
T Rear Turning Radius	1637 mm
U Tail Length	740 mm
W Track Edge Width	1885 mm
X Bucket Edge Width	1905 mm

Dimensions and Work Range Diagram



**VISION
CREATES
FUTURE**

