

科技中联，匠心相伴 ZOOMLION TECHNOLOGY WITH INGENUITY AND CARE



全球领先的挖掘机智能制造工厂

The world's leading excavator intelligent manufacturing factory

中联智慧产业城土方机械园区拥有行业领先的智能化、柔性化的挖掘机工厂，从一块钢板到一台挖掘机，以高精度的焊接工艺、高可靠的装配工艺、高级别的涂装工艺和严苛的品质管控，让每一台交付的挖掘机都具备极致品质。

Zoomlion Smart City Earthmoving Machinery Park is an industry-leading intelligent and flexible excavator factory. From a piece of steel plate to an excavator, with high-precision welding process, highly reliable assembly process, high-level coating process and strict quality control, each excavator is delivered with ultimate quality.



ZOOMLION

Zoomlion Heavy Industry Science & Technology Co.,Ltd.

Add: No.361, South Yinpen Road, Changsha, Hunan Province, P.R.China 410013 Email: earthmoving@zoomlion.com
Copyright©2024 Zoomlion. All rights reserved. Reproduction and copying of any part of contents is not allowed for any purposes without Zoomlion's approval.
Note: Materials and specifications are subject to change without notice. Featured machines in photos may include additional equipment.



ZOOMLION 55-TONNAGE CRAWLER HYDRAULIC EXCAVATOR

中联重科55吨级履带式液压挖掘机 ZE500G \ ZE550G



ZOOMLION

VISION CREATES FUTURE

思想构筑未来

ZE500G

发动机功率: 277 kW / 2100 rpm
操作重量: 51000 kg
斗容: 2.65~3.3 m³

Rated power: 277 kW / 2100 rpm
Operating weight: 51000 kg
Bucket capacity: 2.65~3.3 m³

ZE550G

发动机功率: 277 kW / 2100 rpm
操作重量: 53500 kg
斗容: 2.85~3.6 m³

Rated power: 277 kW / 2100 rpm
Operating weight: 53500 kg
Bucket capacity: 2.85~3.6 m³



完美适配性 ADAPTABILITY & IMPROVEMENT



提供多种铲斗可选，适应不同工况，提高工作效率。
 铲斗大面积采用高强度耐磨钢板，降低了物料对斗底的磨损和冲击，使铲斗更耐用。
 ZE500G标配2.65m³岩石斗，可选配3.1m³强化斗，3.3m³土方斗；ZE550G标配3.2m³岩石斗，可选配2.85m³岩石斗、3.6m³强化斗，斗容更大装载效率更高。

It provides multiple types of bucket to choose from, adapts to different working conditions, and improves work efficiency.
 The bucket adopts high strength wear resistant steel plates on a large area, reducing the wear and impact of materials on the bucket bottom, which makes the bucket more durable.
 ZE500G Standard 2.65m³ rock bucket, with optional 3.1m³ reinforced bucket, 3.3m³ earthwork bucket. ZE550G Standard 3.2m³ rock bucket, optional 2.85m³ rock bucket, 3.6m³ reinforced bucket, with larger capacity and higher loading efficiency.

ZE500G工作装置及选配推荐
 ZE500G WORK EQUIPMENT AND OPTIONAL RECOMMENDATIONS

类型 Type	动臂长度 Boom length	斗杆长度 Arm length	铲斗配置及适应工况 Bucket configuration and adaptability to working conditions	适应物料密度 Adaptability to material density
标准动臂Standard boom 标准斗杆Standard arm	6500	2550	185mm/195mm 破碎锤 185mm/195mm breaker	---
标准动臂Standard boom 加长斗杆Long arm	6500	3000	2.65m³ (岩石) Rock bucket	1800kg/m³
			3.1m³ (强化) Reinforced bucket	1600kg/m³
			3.3m³ (土方) Earthwork bucket	1400kg/m³

ZE550G工作装置及选配推荐
 ZE550G WORK EQUIPMENT AND OPTIONAL RECOMMENDATIONS

类型 Type	动臂长度 Boom length	斗杆长度 Arm length	铲斗配置及适应工况 Bucket configuration and adaptability to working conditions	适应物料密度 Adaptability to material density
标准动臂Standard boom 标准斗杆Standard arm	6500	2550	195mm/200mm 破碎锤 195mm/200mm breaker	---
标准动臂Standard boom 加长斗杆Long arm	6500	3000	3.2m³ (岩石) Rock bucket	1800kg/m³
			3.6m³ (强化) Reinforced bucket	1600kg/m³
加长动臂Long boom 加长斗杆Long arm	7060	3000	185mm/195mm破碎锤 185/195breaker	---
			2.85m³ (岩石) Rock bucket	1800kg/m³
			3.6m³ (强化) Reinforced bucket	1600kg/m³

配置与效率 CONFIGURATION & EFFICIENCY



动力系统 POWER SYSTEM



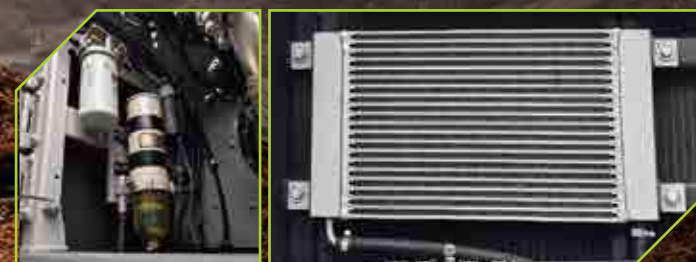
采用排量为11.8L的6缸康明斯发动机，应用高压共轨技术，新型电 控系统优化了发动机性能，整机具有更卓越的燃油经济性。发动机最高功率可达340kW（1800rpm），动力更强劲、输出更平稳，干活更有力、更快。

Using a 6-cylinder Cummins engine with a displacement of 11.8L, and high-pressure common rail technology, the new electronic control system optimizes engine performance, and the whole machine has better fuel economy. The maximum power of the engine can reach 340kW (1800rpm), with stronger power, smoother output, which makes it work more powerfully and efficiently.



高过滤效率和大容灰量的空气过滤器，搭配油浴式空气预滤器，有效地保护发动机；可加装一道旋流式空气预滤器，杂质过滤效率更高，更适应重粉尘工况。

An air filter with high filtration efficiency and large ash capacity, combined with an oil bath air pre-filter, effectively protects the engine; A swirl air pre-filter can be installed, which has a higher filtration efficiency and is more suitable for heavy dust conditions.



三级燃油过滤器，采用新型滤纸，油水分离与杂质过滤效率更高，为发动机提供更纯净的燃油，减少燃油系统故障；使用燃油冷却器，精准控制燃油温度，使发动机始终处于最佳状态，提升了发动机寿命的同时，降低了燃油消耗。

The three-stage fuel filter adopts a new type of filter paper, which has higher efficiency in fuel-water separation and impurity filtration, providing the engine with purer fuel and reducing fuel system failures; By using a fuel cooler to precisely control the fuel temperature, the engine is always in optimal condition, extending the engine life while reducing fuel consumption.

配置与效率 CONFIGURATION & EFFICIENCY



大排量主泵，低工作转速下即可获得较大的流量，噪音更低；最高工作压力可达37.3MPa（增压模式），重载有保障；配备双泵合流功能，提高破碎锤工作效率。

A large displacement main pump can achieve larger flow rate and lower noise at low operating speeds; The maximum working pressure can reach 37.3MPa (supercharging mode), with guaranteed heavy load; Equipped with dual pump confluence function, it improves the efficiency of the breaker.



采用大口径主阀，阀芯结构优化，减小液压油与管路通道的摩擦力，降低油道压力损失20%以上。

Adopting a large diameter main valve, optimizing the valve core structure, reducing the friction between hydraulic oil and plumbing, and reducing oil duct pressure loss was reduced by more than 20%.



大排量双回转马达，技术成熟，回转扭矩大，启动迅速，回转速度快。

Large displacement dual swing motor, mature technology, large swing torque, fast start, and fast rotation swing speed



行走马达排量及速比更大，牵引力提升10%，强大的牵引力确保整机在崎岖工地上行走和转向自如。

The displacement and speed ratio of the travel motor are larger, and the drawbar pull is increased by 10%. The strong drawbar pull ensures that the entire machine can travel and turn freely on rough construction sites.



标配后视摄像头，后方视野在显示屏上清晰可见，行走操作更省心、更安全。

The rear view is clearly visible on the display thanks to the rear-view camera as standard feature. Travel operation is easier and safer.



燃油箱容积达820L，三班作业不需要中途加油；

The fuel tank has a capacity of 820L, and there is no need to refuel for three shifts of work;

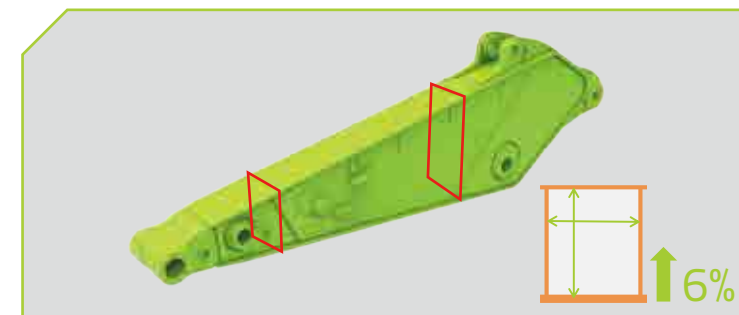
可靠与耐用

RELIABILITY & DURABILITY



动臂和斗杆采用大截面设计。动臂和斗杆的总横截面分别增加了9%和6%。截面越大，应力承载能力越大；

Boom and Arm adopt large section design. The total cross section of the boom and arm has increased by 9% and 6% respectively. The larger the section, the greater the stress bearing capacity;



先进的焊接工艺有助于提高结构件的质量。

Advanced welding process helps to improve the quality of structural parts.



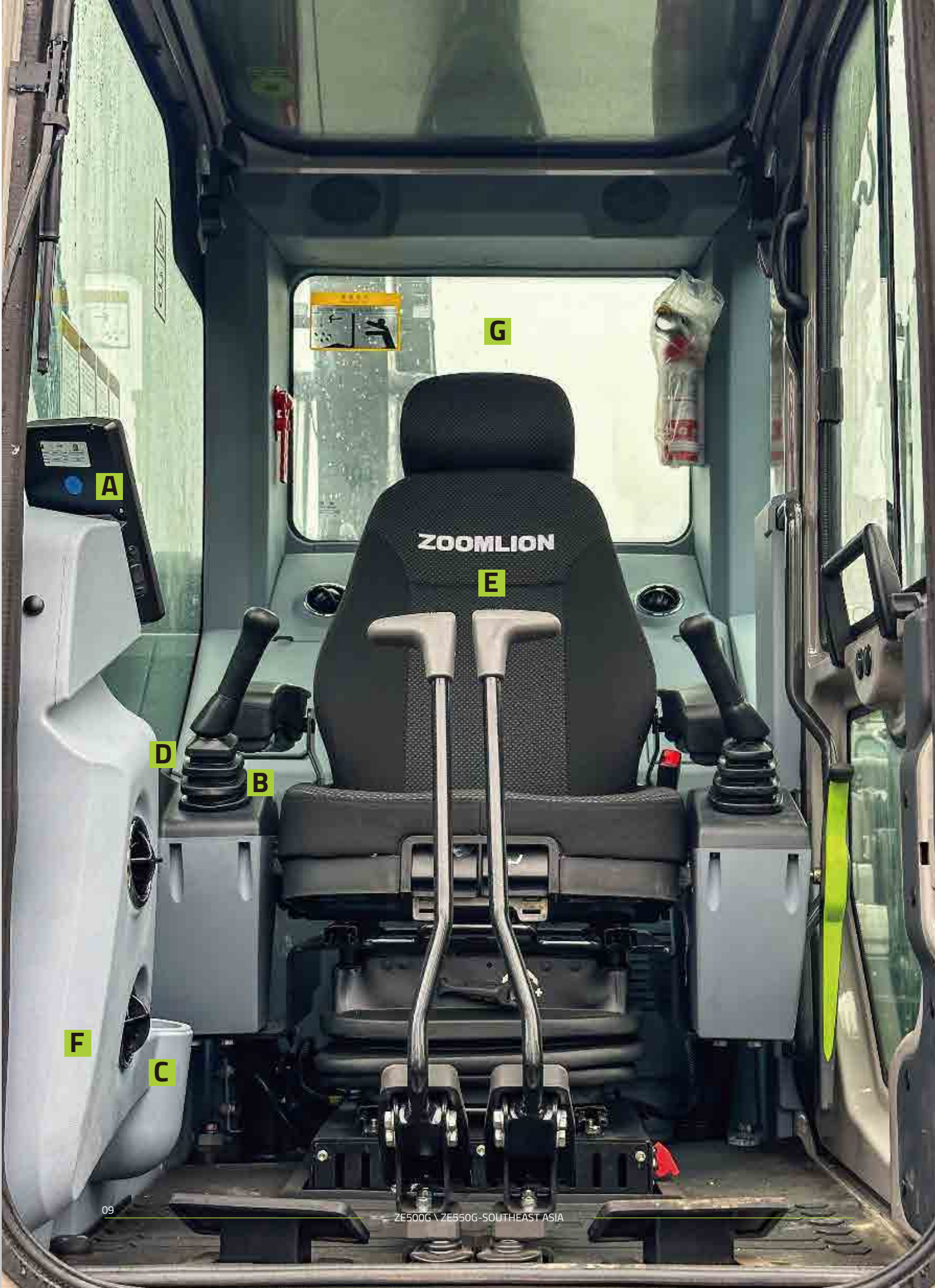
工作装置加强，动臂和斗杆前、后支座为整体式铸钢件，不易发生焊缝开裂，更可靠；动臂整体式25mm厚下盖板，强度更高。

The work equipment is strengthened, and the front and rear supports of the boom and arm are integral cast steel parts, which are less prone to weld cracking and more reliable; The integral 25mm thick lower cover plate of the boom provides higher strength.

支重轮作托链轮，托链轮双侧支撑，承载性能更强，更有效保护履带；标配4段式全防护履带护罩；标配2筋重型履带，抓地力更强。

Track rollers are used as carrier rollers that are supported on both sides, providing stronger bearing performance and more effective protection of track; It is equipped with standard fully protective track cover and standard double grouser heavy-duty tracks, providing stronger grip.





舒适与智能 COMFORT & INTELLIGENCE



Large touch screen
The standard rearview camera
大规模触摸屏
标配后置摄像头



Push start
一键启动



Cup holder
杯托

- USB 
- Bluetooth(蓝牙) 
- Data Transmission (数据传输) 



Highly integrated control panel
高集成化 控制面板



Large-travel dedicated suspension seat
brings fully wrapped experience
大行程专用悬浮座椅全包裹体验



Compared with the previous generation cab, the cooling effect of the new generation cab is increased by more than 19%
新一代驾驶室相比上一代驾驶室，制冷降温效果提高19%以上



Superb all-round visibility thanks to large window areas, with increased glass transmittance above 11%
Standard sunshade
大面积环绕式玻璃玻璃通透率提升11%以上
标配遮阳帘

维保便捷 CONVENIENT & MAINTENANCE



采用大面积独立式散热器，满足不同工况的散热需求，保障时刻处于工作适宜温度。风扇反转功能便于清理灰尘。

Adopting a large-area independent radiator, it meets the heat dissipation needs of different working conditions, ensuring that it is always at a suitable working temperature. The fan reverse function is convenient for cleaning dust.



机油滤、柴油滤、先导滤的检视与保养均伸手可及，实现一站式保养。

Oil filter, diesel filter, pilot filter inspection and maintenance are easily accessible at ground level, to achieve one-stop maintenance.



主阀及回转马达管路布置空间大、管路整洁清晰，维保简单易行；减速机齿轮油、燃油箱、防冻液均设置远程放液口，方便，安全。

The layout space of the main valve and swing motor plumbing is large, The plumbing is clean and clear, and maintenance is simple and easy to operate; the reducer gear oil, fuel tank, and antifreeze are all equipped with remote drain ports for convenience and safety.



发动机舱空间更大，检视、维修、保养更方便；专设维修保养踏板，所有维保点都能轻松触及。

Engine room space is larger, and inspection, repair, maintenance are more convenient; Maintenance pedals are specially designed, all maintenance points easily reached.

客户服务

CUSTOMER SERVICE

中联重科的愿景是“思想构筑未来”。这不仅仅是一句简单的口号，而是超越客户期望的不可动摇的决心。中联重科一直秉持这一理念，并在为客户所做的每一件事中努力践行这一理念。我们为客户提供的服务是想客户所想，急客户所急。

Zoomlion's slogan is "vision creates future". It is not just a simple slogan, but an unshakable determination to exceed our customers' expectations. Zoomlion has always upheld this belief and tries to implement it in everything that we do for customers. The service we offer to customers is to think about what they think about and worry about what they worry about.

中联重科承诺，一旦您选择了我们，我们将随时做好响应准备，在任何时间、任何地点第一时间到达并提供解决方案。

Zoomlion promises that once you choose us, we are ready to respond with the first arrival and solution any time, anywhere.

中联重科随时提供各种服务内容、专业服务团队、全球服务网络和系统化的技术支持，无论您身处世界何时何地，均可应您的要求提供有效的响应和解决方案。

Various service content, professional service teams, global service networks and systematic technical support are readily available from Zoomlion for an effective response and solution upon your request no matter where you are in the world and what time it is.



中联重科纯正配件

ZOOMLION GENUINE PARTS

使用中联重科纯正配件可使设备保持最佳的可靠性和生产力，请从中联重科或中联重科授权代理商购买配件。

The use of ZOOMLION genuine parts can maintain the best reliability and productivity of the machine. Please purchase parts from ZOOMLION or ZOOMLION authorized dealers.

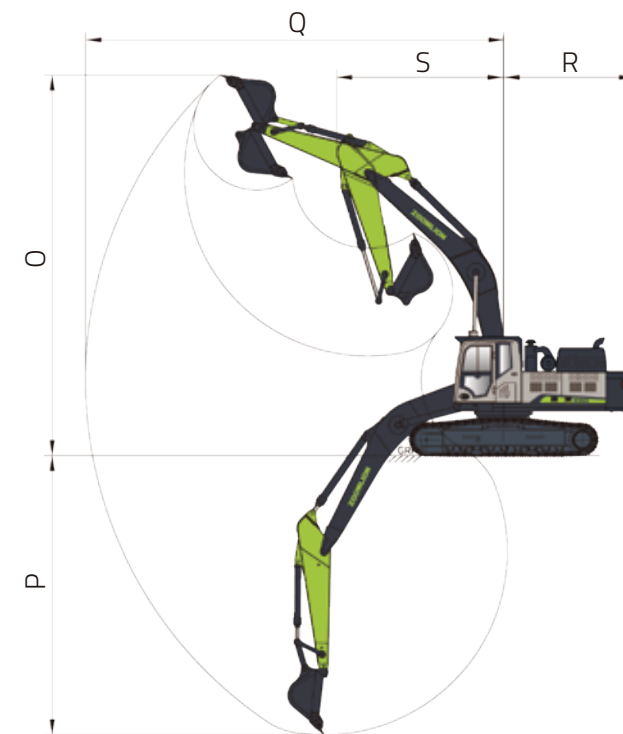
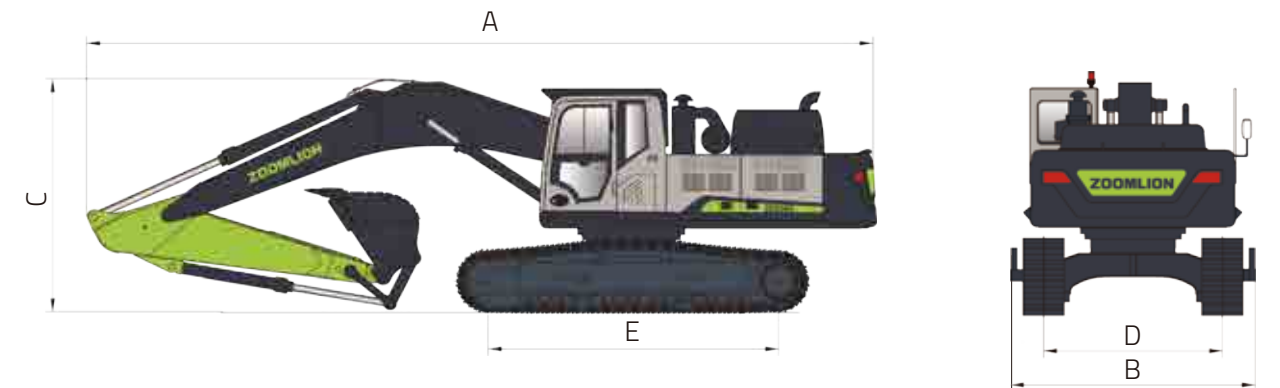
中联重科配件库已准备了充足的库存，一旦收到您的订单，我们将第一时间从最近的配送中心发出您所需要的配件。

ZOOMLION spare parts warehouses have prepared sufficient inventory. We will send you the parts you need from the nearest distribution center once we get your order.



	ZE500G	ZE550G
发动机 ENGINE		
品牌Brand	康明斯Cummins	康明斯Cummins
型号Model	X12S3A375	X12S3A375
额定功率Rated power	277 kW / 2100 rpm	277 kW / 2100 rpm
排量Displacement	11.8 L	11.8 L
液压系统 HYDRAULIC SYSTEM		
主泵 Main pump	2个变量柱塞泵最大流量: 2×384 L/min	2个变量柱塞泵最大流量: 2×384 L/min
先导泵 Pilot pump	1个齿轮泵最大流量: 24 L/min	1个齿轮泵最大流量: 24 L/min
溢流阀设定 SYSTEM PRESSURE SETTING		
工作油路 Oil circuit for work equipment	34.3 MPa	34.3 MPa
回转油路 Oil circuit for swing device	28.4 MPa	28.4 MPa
行走油路 Traveling circuit	34.3 MPa	34.3 MPa
先导油路 Pilot circuit	3.9 MPa	3.9 MPa
增压模式 Supercharging mode	37.3 MPa	37.3 MPa
底盘结构 UNDERCARRIAGE STRUCTURE		
托链轮数量 (每侧) Carrier roller / single side	2 (支重轮代替)	2 (支重轮代替)
支重轮数量 (每侧) Track roller / single side	9	9
链轮数量 (每侧) Sprocket / single side	1	1
引导轮数量 (每侧) Idler / single side	1	1
行走速度 TRAVELING SPEED (HIGH/LOW)		
高 High	5.2 km/h	5.2 km/h
低 Low	3.1 km/h	3.1 km/h
最大牵引力 Maximum drawbar pull	443 kN	443 kN
爬坡能力 Gradeability	70%	70%
上车平台 UPPER STRUCTURE		
回转速度 Swing speed	9.6 r/min	8.4 r/min
回转扭矩 Swing torque	154 kNm	183 kNm
工作装置 WORK EQUIPMENT		
动臂长度 Boom length (mm)	6500 mm	6500 mm
斗杆长度 Arm length (mm)	3000 mm	3000 mm
铲斗容量 BUCKET CAPACITY		
标配 Standard	2.65 m ³ (岩石) Rock bucket	3.2 m ³ (岩石) Rock bucket
选配1 Optional1	3.1 m ³ (强化) Reinforced bucket	3.6 m ³ (强化) Reinforced bucket
选配2 Optional2	3.3 m ³ (土方) Earthwork bucket	2.85 m ³ (岩石) Rock bucket
维护保养加注容量 MAINTENANCE AND REFILLING CAPACITY		
燃油箱容积 Fuel tank (topped up)	820 L	820 L
发动机冷却液 Coolant (standard level)	55 L	55 L
发动机油 Engine oil (standard level)	44 L	44 L
回转装置 Swing device (standard level)	2×5.3 L	2×5.3 L
行走装置 (每侧) Traveling device (standard level)	2×15 L	2×15 L
液压系统 Hydraulic system (standard level)	550 L	550 L
液压油箱 Hydraulic oil tank (standard level)	310 L	310 L

	ZE500G	ZE550G
整机尺寸 DIMENSIONS		
A 总长度 Overall Length	11790 mm	11790 mm
B 总宽度 Overall Width	3610 mm	3610 mm
C 总高度 Overall Height	3990 mm	3990 mm
D 履带轨距 Track Gauge	2750 mm	2750 mm
E 履带轴距 Crawler base	4400 mm	4400 mm
作业范围 OPERATING RANGE		
O 最大挖掘高度 Max. Digging Height	9686 mm	9686 mm
P 最大挖掘深度 Max. Digging Depth	6945 mm	6945 mm
Q 最大挖掘距离 Max. Digging Reach	10982 mm	10982 mm
R 尾部回转半径 Swing (rear end) radius	3887 mm	3887 mm
S 前部最小回转半径 Minimum swing radius at the front	4636 mm	4636 mm



标配&选配

STANDARD & OPTIONAL FEATURES

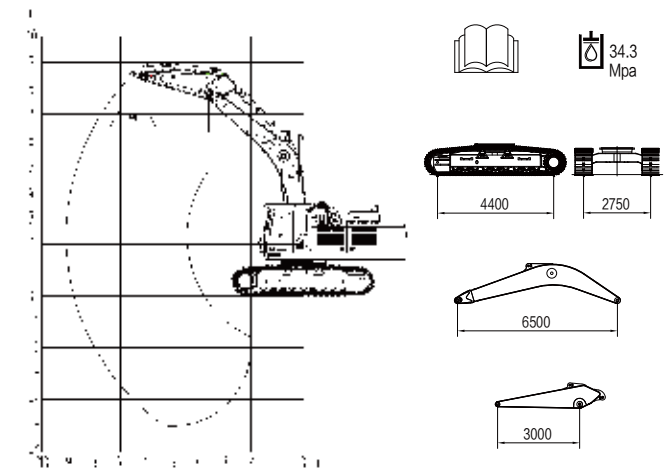
分类CATEGORY	配置项FEATURES	ZE500G \ ZE550G
动力系统 POWERTRAIN	空气滤清器 Air filter	●
	旋流式空气预滤器 Swirl type air pre-cleaner	○
	油浴式空气预滤器 Oil bath air pre-cleaner	●
液压系统 HYDRAULIC SYSTEM	破碎管路 (有蓄能器) Hammer plumbing(Accumulator)	○
驾驶室 CAB	FOPS	●
	前上细网格防护 Anterior superior Mesh guard	○
	前下细网格防护 Anterior inferior Mesh guard	●
	顶栅格防护 Top Skeleton guard	●
	前上栅格防护 Anterior superior Skeleton guard	○
	前下栅格防护 Anterior inferior Skeleton guard	○
	灭火器 Fire extinguisher	●
	空气悬浮座椅 Air suspension seat	●
平台下封板 BOTTOM COVER	冷暖空调 Air conditioner	●
	遮阳帘 Sunshade curtain	●
	6mm	●
下车 LOWER BODY	2筋钢履带 Double grouser steel track	●
	3筋钢履带 Triple grouser steel track	○
	600mm履带 600mm track	●
	700mm履带 700mm track	○
	800mm履带 800mm track	○
工作装置 WORK EQUIPMENT	全防护链板 Full protection track guide	●
	标准动臂长度 Standard boom length	●6500mm
	标准斗杆长度 Standard arm length	●3000mm
	选配动臂 Optional boom	○7060mm
	选配斗杆 Optional arm	○2550mm(破碎专用) Break
	油缸护套 (一套) Cylinder sleeve (one set)	○
铲斗 BUCKET	动臂油缸底部防护 Bottom protection of boom cylinder	○(破碎专用) Break
	标配 Standard	●2.65m³ (岩石) Rock bucket
	选配1 Optional 1	○3.1m³ (强化) Reinforced bucket
	选配2 Optional 2	○3.3m³土方 Earthwork bucket
		●3.2m³ (岩石) Rock bucket
电气 ELECTRICAL SYSTEM		○3.6m³ (强化) Reinforced bucket
	声光报警器 Acousto-optic alarm	●
	急停开关 Switch	●
	24V电源接口 24V DC outlets	●
	后视摄像头 Rear view camera	●
	配重照明灯 Counterweight lighting	○
	驾驶室前顶灯 Cab front light	●2个2pcs
	动臂工作灯 Boom light	●2个2pcs
	转台灯 Upper frame light	●1个1pc
	燃油加注泵 Refueling pump	○
属具 ATTACHMENT	GPS	●
	AM/FM收音机 AM/FM radio	●
	推荐破碎锤钎杆直径1 Recommended crushing hammer drill rod diameter 1	185mm
	推荐破碎锤钎杆直径2 Recommended crushing hammer drill rod diameter 2	195mm
	推荐破碎锤钎杆直径3 Recommended crushing hammer drill rod diameter 3	200mm
维护保养 MAINTENANCE	三角破碎锤 Triangle breaking hammer	○
	直型破碎锤 Straight crushing hammer	○
其他 OTHERS	自动润滑系统 Automatic lubrication system	○
	驾驶室后视镜 Cab rearview mirror	●1个1pc
	扶手后视镜 Handrail rearview mirror	●1个1pc

起吊能力表

LIFT CAPACITY

ZE500G / ZE550G(6.5m+3m)

Do not attempt to lift or hold any load that is greater than these rated values at their specified lift-point radius and height.
The lift point is located at the centreline of the bucket pivot mounting pin on the arm.
在规定的起吊点半径和高度下, 不要起吊大于额定值的负载。
起吊点位于铲斗在斗杆上安装销轴的中心。



LPH	ZE500G额定起吊能力 (kg) ZE500G Rated lift capacity (kg)										最大半径处的起吊能力 Lift capacity at maximum radius		
	LPR												
	3.0m		4.5m		6.0m		7.5m		9.0m		纵向 End	侧向 Side	m
m	纵向 End	侧向 Side	纵向 End	侧向 Side	纵向 End	侧向 Side	纵向 End	侧向 Side	纵向 End	侧向 Side	纵向 End	侧向 Side	m
7.5											9939*	8428	7.4
6.0							10121*	8152			9648*	6549	8.2
4.5			17689*	17689*	13201*	11726	10835*	7762			9590*	5485	8.8
3.0			21212*	16799	14889*	10727	11672*	7273	9739*	5029	9671*	4946	9.06
1.5			22891*	15391	16090*	9451	12314*	6827	9905*	4827	9829*	4768	9.05
Grade			22566*	14925	16388*	9321	12462*	6534			10010*	4915	8.8
-1.5	24820*	24820*	17895*	15368	13549*	9921	11810*	6454			10154*	5542	8.2
-3.0	22850*	22850*	12676*	12676*	15630*	9499					10047*	6892	7.3
-4.5			20916*	14973							9093*	9093*	5.8
LPH	ZE550G额定起吊能力 (kg) ZE550G Rated lift capacity (kg)										最大半径处的起吊能力 Lift capacity at maximum radius		
	LPR												
	3.0m		4.5m		6.0m		7.5m		9.0m		纵向 End	侧向 Side	m
m	纵向 End	侧向 Side	纵向 End	侧向 Side	纵向 End	侧向 Side	纵向 End	侧向 Side	纵向 End	侧向 Side	纵向 End	侧向 Side	m
7.5											9955*	9203	7.49
6.0							10121*	8737			9657*	7084	8.26
4.5			17689*	17689*	13201*	12500	10835*	8346			9593*	5969	8.8
3.0			21212*	17945	14889*	11502	11672*	7858	9739*	5497	9677*	5423	9.06
1.5			22891*	16537	16090*	10696	12314*	7411	9905*	5297	9854*	5256	9.03
Grade			22566*	16070	16388*	10266	12462*	7118			10035*	5421	8.8
-1.5	24820*	24820*	20916*	16514	15630*	10095	11810*	7039			10152*	6044	8.2
-3.0	22850*	22850*	17895*	12676*	13549*	10273					10054*	7447	7.3
-4.5			12676*	16119							9026*	9093*	5.9

Capacities marked with an asterisk (*) are limited by hydraulic capacities. See Note 2.

The mass of slings and any auxiliary lifting devices shall be deducted from the rated load to determine the net load that may be lifted. Lift capacities are based on the machine standing on a firm, uniform supporting surface. The user shall make allowances for job conditions such as soft or uneven ground. The operator should be fully acquainted with the *Operator's Manual* and the *Operating Safety Manual* furnished by the manufacturer before operating the machine.

NOTE 1 Lift capacities shown are without the power boost feature engaged.
NOTE 2 Lift capacities shown do not exceed 75% of minimum tipping loads or 87% of hydraulic capacities.
NOTE 3 The least stable position is over the side.
NOTE 4 Lift capacities apply only to the machine as originally manufactured and normally equipped by the manufacturer.
NOTE 5 The total mass of the machine is 51000 / 53500kg ;Included in this mass are 600mm triple grouser shoes, 6.5m boom, 3.0m arm, 9000 / 10000kg counterweight, all operating fluids and a 75kg operator.
NOTE 6 Lift capacities are in compliance with ISO 10567:2007.

起吊能力表 LIFT CAPACITY

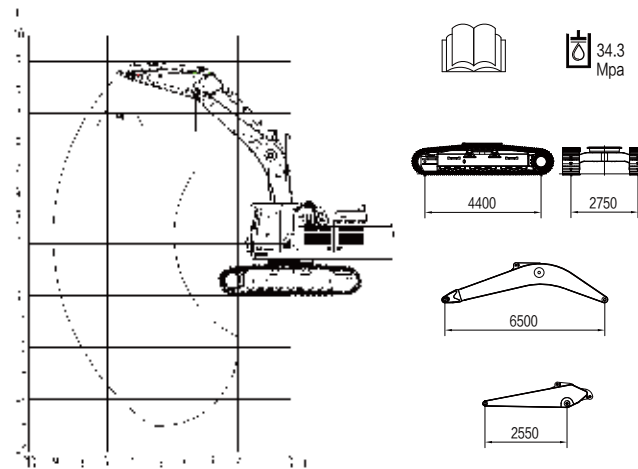
ZE500G / ZE550G(6.5m+2.55m)

Do not attempt to lift or hold any load that is greater than these rated values at their specified lift-point radius and height.

The lift point is located at the centreline of the bucket pivot mounting pin on the arm.

在规定的起吊点半径和高度下，不要起吊大于额定值的负载。

起吊点位于铲斗在斗杆上安装销轴的中心。



LPH	ZE500G额定起吊能力 (kg) ZE500GRated lift capacity (kg)												最大半径处的起吊能力 Lift capacity at maximum radius									
	LPR										3.0m				4.5m		6.0m		7.5m		9.0m	
	3.0m		4.5m		6.0m		7.5m		9.0m													
m	纵向 End	侧向 Side	纵向 End	侧向 Side	纵向 End	侧向 Side	纵向 End	侧向 Side	纵向 End	侧向 Side	纵向 End	侧向 Side	纵向 End	侧向 Side	m							
7.5													11266*	9226	7.5							
6.0					12842*	12723	11144*	8317					10842*	7321	7.95							
4.5					14477*	11993	11822*	8052					10721*	6209	8.5							
3.0					16136*	11149	12618*	7630					10761*	5679	8.8							
1.5					17151*	10522	13153*	7333					10890*	5551	8.74							
Grade			23078*	16000	17166*	10187	13105*	7125					10852*	5711	8.53							
-1.5			17469*	16563	16048*	10147	12059*	7100					10903*	6491	7.9							
-3.0	20933*	20933*	11321*	11321*	13389*	10376							13093*	8136	7.02							
-4.5			20988*	16142									8559*	8559*	5.55							

LPH	ZE550G额定起吊能力 (kg) ZE550GRated lift capacity (kg)												最大半径处的起吊能力 Lift capacity at maximum radius									
	LPR										3.0m				4.5m		6.0m		7.5m		9.0m	
	3.0m		4.5m		6.0m		7.5m		9.0m													
m	纵向 End	侧向 Side	纵向 End	侧向 Side	纵向 End	侧向 Side	纵向 End	侧向 Side	纵向 End	侧向 Side	纵向 End	侧向 Side	纵向 End	侧向 Side	m							
7.5													11244*	9922	7.1							
6.0					12842*	12842*	11144*	8898					10803*	7695	8.03							
4.5					14477*	12752	11822*	8637					10670*	6621	8.56							
3.0					16136*	11945	12618*	8264					10680*	6069	8.82							
1.5					17151*	11296	13153*	7921					10761*	5941	8.81							
Grade			23078*	17132	17166*	10961	13105*	7709					10835*	6211	8.53							
-1.5			17478*	17478*	16048*	10927	12059*	7684					10781*	6994	7.96							
-3.0	20933*	20933*	11275*	11275*	13389*	11154							10305*	8757	7.03							
-4.5			20988*	17286									8479*	8479*	5.59							

Capacities marked with an asterisk (*) are limited by hydraulic capacities. See Note 2.

The mass of slings and any auxiliary lifting devices shall be deducted from the rated load to determine the net load that may be lifted. Lift capacities are based on the machine standing on a firm, uniform supporting surface. The user shall make allowances for job conditions such as soft or uneven ground. The operator should be fully acquainted with the *Operator's Manual* and the *Operating Safety Manual* furnished by the manufacturer before operating the machine.

NOTE 1 Lift capacities shown are without the power boost feature engaged.
NOTE 2 Lift capacities shown do not exceed 75% of minimum tipping loads or 87% of hydraulic capacities.
NOTE 3 The least stable position is over the side.
NOTE 4 Lift capacities apply only to the machine as originally manufactured and normally equipped by the manufacturer.
NOTE 5 The total mass of the machine is 51000 / 53500kg :Included in this mass are 600mm triple grouser shoes, 6.5m boom, 2.55m arm, 9000 / 10000kg counterweight, all operating fluids and a 75kg operator.
NOTE 6 Lift capacities are in compliance with ISO 10567:2007.

起吊能力表 LIFT CAPACITY

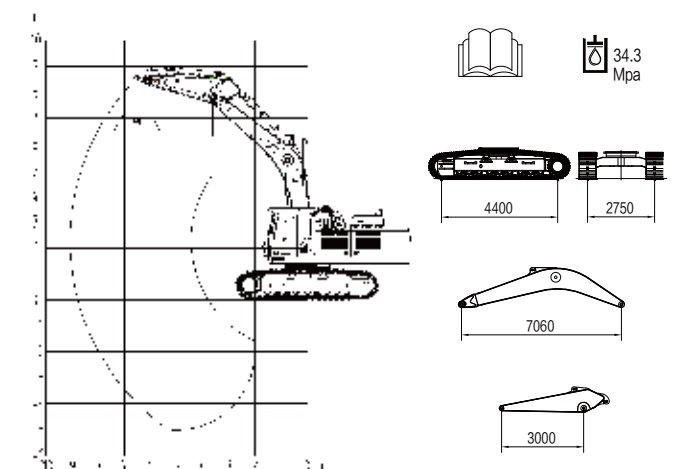
ZE500G / ZE550G(7.06m+3m)

Do not attempt to lift or hold any load that is greater than these rated values at their specified lift-point radius and height.

The lift point is located at the centreline of the bucket pivot mounting pin on the arm.

在规定的起吊点半径和高度下，不要起吊大于额定值的负载。

起吊点位于铲斗在斗杆上安装销轴的中心。



LPH	ZE500G额定起吊能力 (kg) ZE500GRated lift capacity (kg)												最大半径处的起吊能力 Lift capacity at maximum radius													
	LPR										3.0m				4.5m		6.0m		7.5m		9.0m					
	3.0m		4.5m		6.0m		7.5m		9.0m																	
m	纵向 End	侧向 Side	纵向 End	侧向 Side	纵向 End	侧向 Side	纵向 End	侧向 Side	纵向 End	侧向 Side	纵向 End	侧向 Side	纵向 End	侧向 Side	m											
7.5															7464*	7464*	7.14									
6.0													8584*	7544		6789*	5619	8.4								
4.5													9136*	7396	8094*	4672	6624*	4428	9.15							
3.0													12871*	10974	10065*	7060	8421*	4585	6763*	3712	9.65					
1.5													14732*	10146	11049*	6650	8871*	4399	7192*	3352	9.89					
Grade													15903*	9501	11759*	6281	9191*	4211	7887*	3258	9.89					
-1.5													15303*	9146	11963*	6035	9136*	4080	7955*	3422	9.65					
-3.0													20338*	15152	16085*	9050	11447*	5937	8333*	4049	7887*	3894	9.16			
-4.5	21329*	21329*	17567*	15431	13469*	9154	9872*	6000																7578*	4862	8.37

LPH	ZE550G额定起吊能力 (kg) ZE550GRated lift capacity (kg)												最大半径处的起吊能力 Lift capacity at maximum radius														
	LPR										3.0m				4.5m		6.0m		7.5m		9.0m						
	3.0m		4.5m		6.0m		7.5m		9.0m																		
m	纵向 End	侧向 Side	纵向 End	侧向 Side	纵向 End	侧向 Side	纵向 End	侧向 Side	纵向 End	侧向 Side	纵向 End	侧向 Side	纵向 End	侧向 Side	m												
7.5															7409*	7409*	7.22										
6.0													8584*	8128		6788*	6139	8.4									
4.5													9136*	7981	8094*	5142	6624*	4894	9.15								
3.0													12871*	11748	10065*	7644	8421*	5055	6761*	4148	9.65						
1.5													14732*	10920	11049*	7243	8871*	4867	7188*	3773	9.89						
Grade													15903*	10275	11782*	6882	9191*	4681	7938*	3680	9.89						
-1.5													16085*	9920	11981*	6633	9136*	4552	7955*	3852	9.65						
-3.0													20338*	16292	15303*	9823	11469*	6537	8333*	4521	7888*	4349	9.165				
-4.5	21329*	21329*	17567*	16577	13469*	9928	9897*	6605																	7581*	5365	8.4

Capacities marked with an asterisk (*) are limited by hydraulic capacities. See Note 2.

The mass of slings and any auxiliary lifting devices shall be deducted from the rated load to determine the net load that may be lifted. Lift capacities are based on the machine standing on a firm, uniform supporting surface. The user shall make allowances for job conditions such as soft or uneven ground. The operator should be fully acquainted with the *Operator's Manual* and the *Operating Safety Manual* furnished by the manufacturer before operating the machine.

NOTE 1 Lift capacities shown are without the power boost feature engaged.
NOTE 2 Lift capacities shown do not exceed 75% of minimum tipping loads or 87% of hydraulic capacities.
NOTE 3 The least stable position is over the side.
NOTE 4 Lift capacities apply only to the machine as originally manufactured and normally equipped by the manufacturer.
NOTE 5 The total mass of the machine is 51000 / 53500kg :Included in this mass are 600mm triple grouser shoes, 7.06m boom, 3.0m arm, 9000 / 10000kg counterweight, all operating fluids and a 75kg operator.
NOTE 6 Lift capacities are in compliance with ISO 10567:2007.